

A modern, two-story building with a white upper level and a dark wood-clad lower level. A large, square window is prominent on the upper level. In the foreground, a white aluminium batten system is installed on a wall. A dark car is partially visible on the left side of the image.

ALUMINIUM
XPRESS
BATTEN
systems

Advantages of Glass Outlet



Wholesale & trade only supplier

Our focus is providing complete solutions to the trade only. This clear focus allows us to provide the best customer service & quality products to the trade.



High quality products

We pride ourselves on attention to detail in all aspects of sourcing and supplying products. We look domestically and worldwide for factories with the skills and equipment capable of manufacturing the highest quality product at a competitive price. Our quality control team regularly visit our factories to ensure our high standards are always being met.



Lowest price guarantee

Having regard to the costs of sophisticated sourcing, quality control management, operating distribution facilities & providing the best customer service, we pass on the lowest prices possible. We believe that complimentary business can only be achieved when we operate under this discipline.



One stop shop

To save you time, we aim to provide complete systems at one purchase destination with the best price. Being a one stop shop also enables us to control the quality of the whole system. We consistently update catalogues and online capabilities to improve customer experiences.



Delivery to your door

With multiple distribution centres across the country with products in stock & dedicated delivery trucks, we aim to provide fast delivery every time. As well as utilising our own trucks, we've developed strong relationships with key transport providers across Australia so we can deliver even when the job is not so close to home.

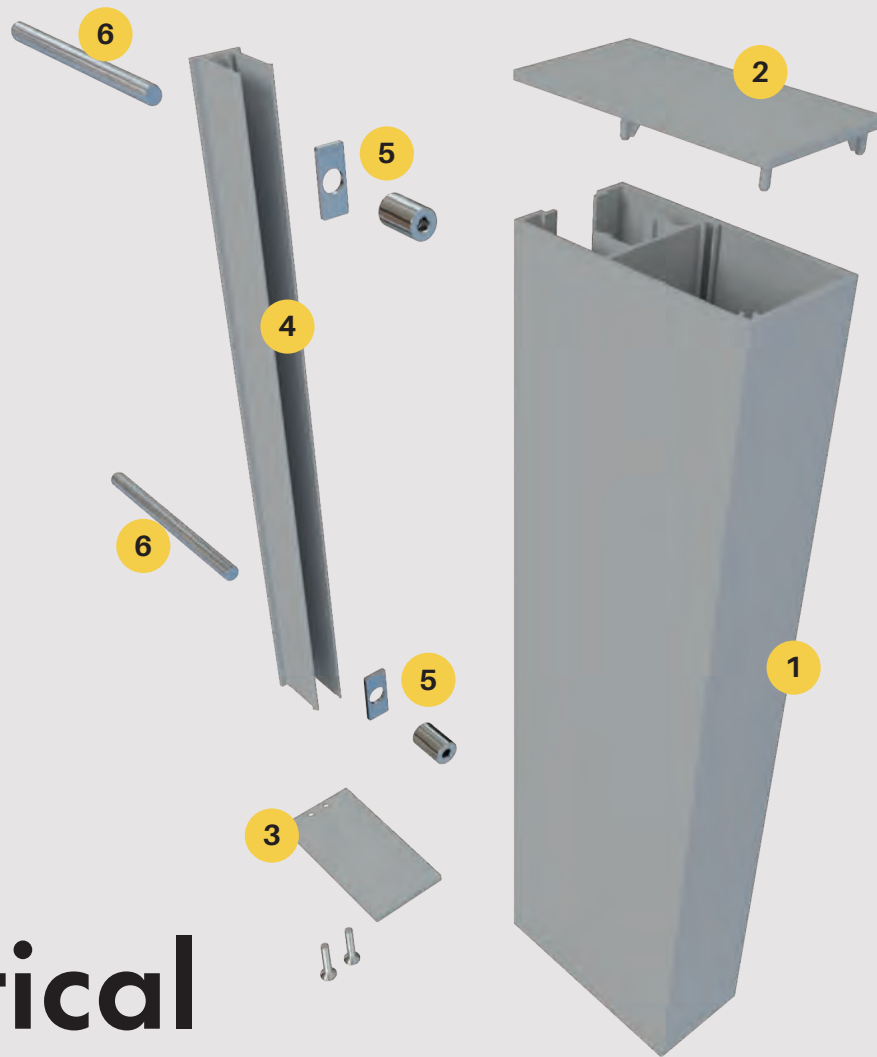


Easy installation

We design products with installation considerations in mind to ensure they are as easy to install as possible to save you time on site. Many products offered have handy installation advantages built in.

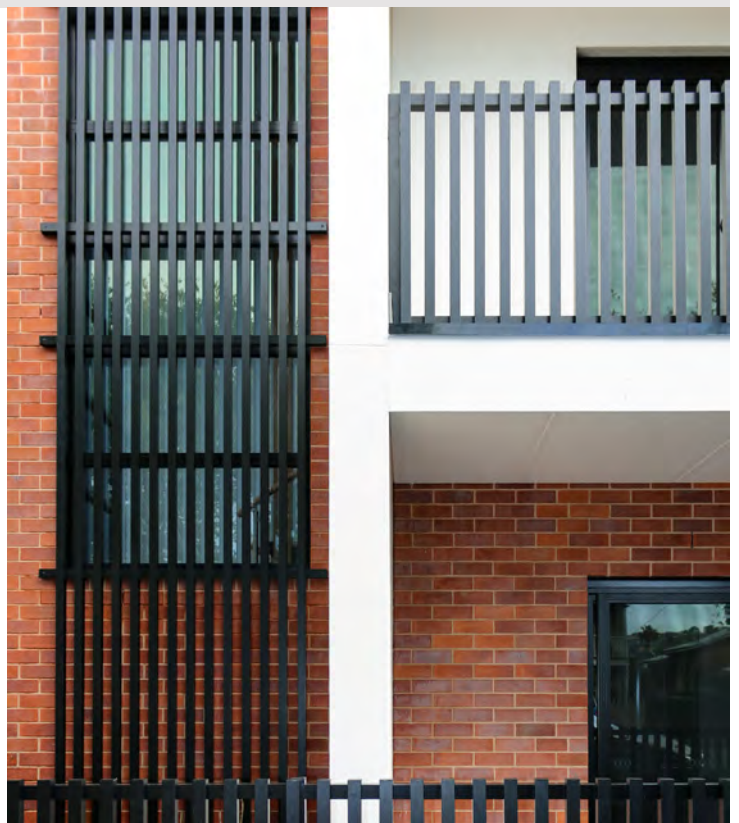


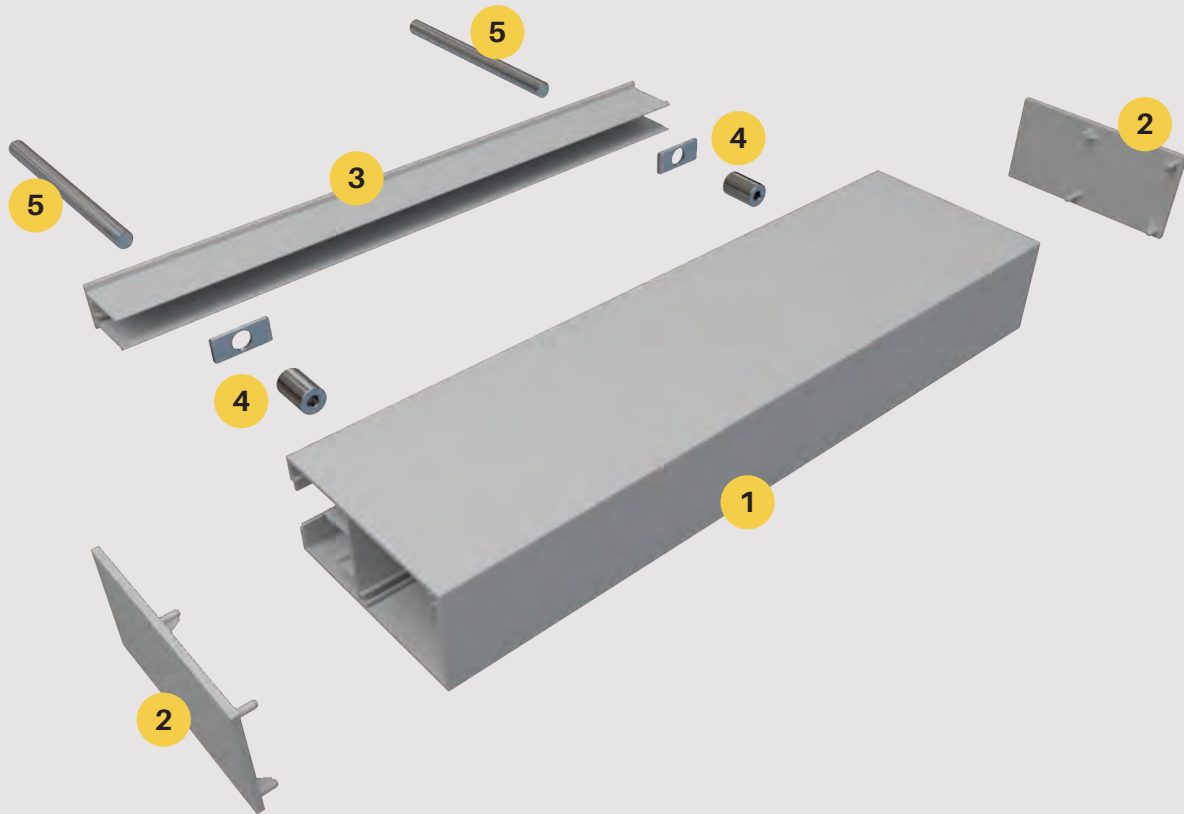




Vertical batten set-up

- 1 Aluminium batten front**
 Snaps onto back clip - no welding required
- 2 Aluminium press-in flat top cap**
 Lugs in top cap press into extrusion screw flutes for secure fit
- 3 Aluminium screw-on flat bottom plate**
 Countersunk screws fix plate into back clip screw flutes - provides strong batten base
- 4 Aluminium back clip**
 Back clip fixes to substrate. Patented no-weld system allows batten front to snap on
- 5 M10 threaded barrel fixing**
 Hex head fixing designed for easy internal fitting into back clip. For timber fixing, consider standard pan head screws with no requirement for barrel fixings
- 6 M10 threaded rod**
 Threaded rod used for concrete chemical anchor fixing. For timber, consider M10 lag screws or standard pan heads





Horizontal batten set-up

Battens are versatile and can be installed vertically, horizontally or on an angle depending on design requirements

- 1 **Aluminium batten front**
Snaps onto back clip - no welding required
- 2 **Aluminium press-in flat top cap**
Press-in flat cap may be used both sides in a horizontal fixing application. No requirement for screwing on end plates as there is in vertical installations
- 3 **Aluminium back clip**
Back clip fixes to substrate. Patented no-weld system allows batten front to snap on
- 4 **M10 threaded barrel fixing**
Hex head fixing designed for easy internal fitting into back clip. For timber fixing, consider standard pan head screws with no requirement for barrel fixings
- 5 **M10 threaded rod**
Threaded rod used for concrete chemical anchor fixing. For timber, consider M10 lag screws or standard pan heads





ECO FRIENDLY

Battens have commonly been made from harvested timber which must be repeatedly painted. Xpress battens are made from aluminium - the most abundant metal in the Earth's crust and third most abundant element (after oxygen and silicon). There are no ongoing painting issues with powder coated aluminium battens.



FIRE RETARDANT

Aluminium is described as non-combustible. When aluminium is exposed to a prolonged fire environment it will begin to melt (not burn) with a melting point between 600 and 660 degrees celsius. Aluminium battens are an excellent choice where fire risk requires consideration.



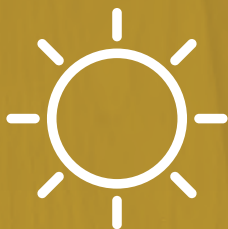
WEATHER & INSECT PROOF

Aluminium is impervious to insects and termites plus the non-porous surface is naturally resistant to fungi, mould and mildew. It is also unaffected by exposure to sunlight and water making it ideal for batten/screening solutions.



LIGHT WEIGHT

Aluminium weighs approximately one third of a piece of steel that is the same size and shape. Xpress battens are made by extruding aluminium which allows for optimisation of shape to maximise strength and reduce weight.



COLOUR STABILITY

Powder coating aluminium provides outstanding long term colour fastness and stability. Xpress battens are powder coated in Australia with genuine Interpon powder for industry leading quality. Imaged aluminium to provide the timber finish effect is also undertaken in Australia.



RUST PROOF

Aluminium does not rust. With a powder coated or imaged finish, Xpress battens may be enjoyed for the long term with minimal maintenance and no worry of rusting.

A COMPLETE BATTEN SYSTEM

Xpress battens are a patented system featuring non-weld assembly able to be installed in a number of different configurations. Batten style screening is increasingly popular for residential and commercial applications, providing architecturally pleasing aesthetics as well as functional screening solutions. Battens may be installed directly to walls, posts, the underside of roofs or they may be installed as a fence with the aid of horizontal rails.

Xpress battens have been designed with ease of install in mind as well as cost minimisation. The range is designed, patented, extruded and finished in Australia.

This patented system employs a sturdy back clip which affixes to the substrate with the front batten effortlessly snapping on. Top caps and bottom plates finish the installation hiding fixings for a visually stunning finish.

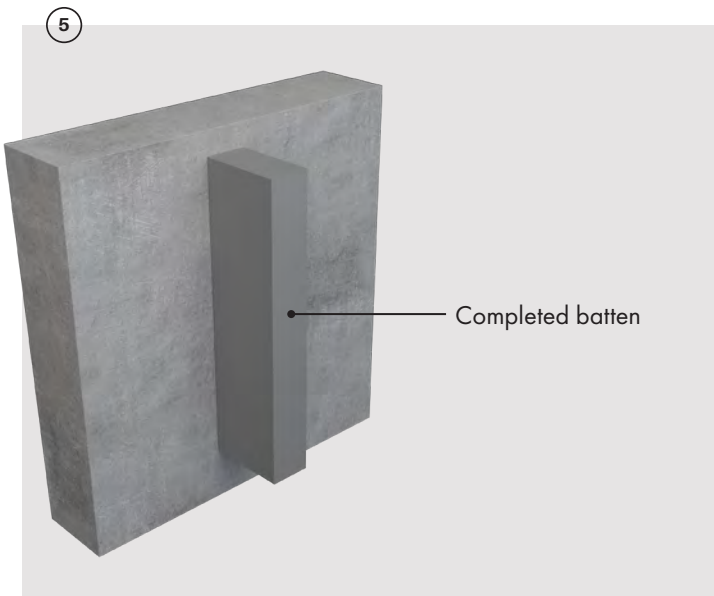
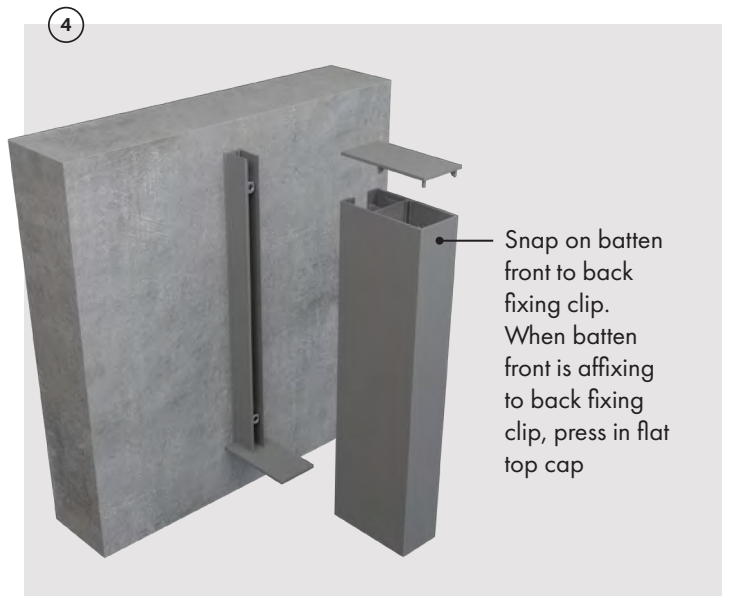
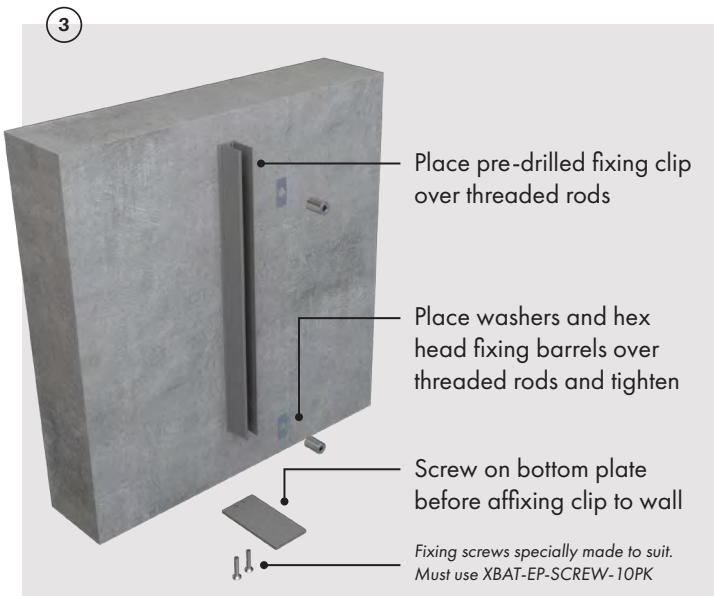
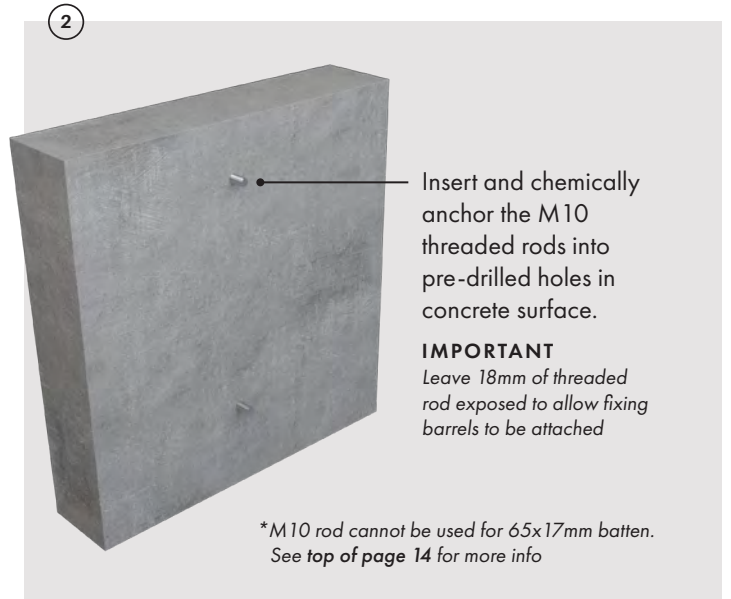
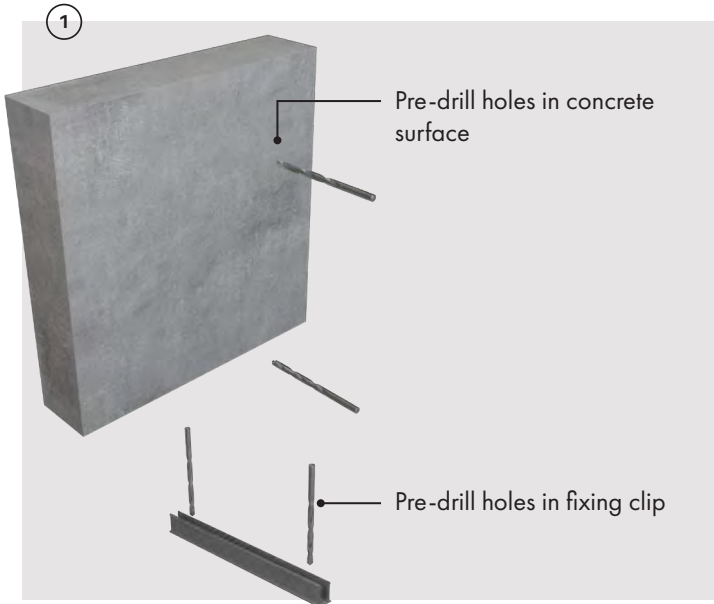
A key feature of Xpress battens is the ability to select from a range of batten profiles to suit the desired look. Whether it be a slimline visual of a 65x17mm batten, the substantial 150x50mm batten or something in between, the Xpress batten range is able to cater for it.

Xpress battens are stocked at 6100mm long in a range of pre-finished popular powder coat colours as well as imaged Western Red Cedar and mill finish. Long lengths may be easily cut to required size and assembled due to the no-weld assembly method. In addition to long length supply, Glass Outlet offers a complete cut to size solution. Simply advise the required batten style and sizes and we will cut to size (including supply of accessories). Cut to size battens are flat packed for safe transport, whether locally or nationally, and can be easily assembled on site.

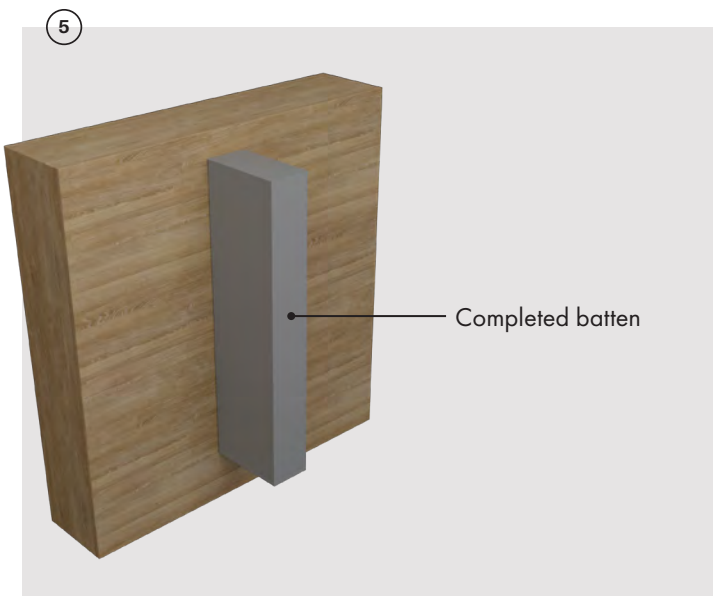
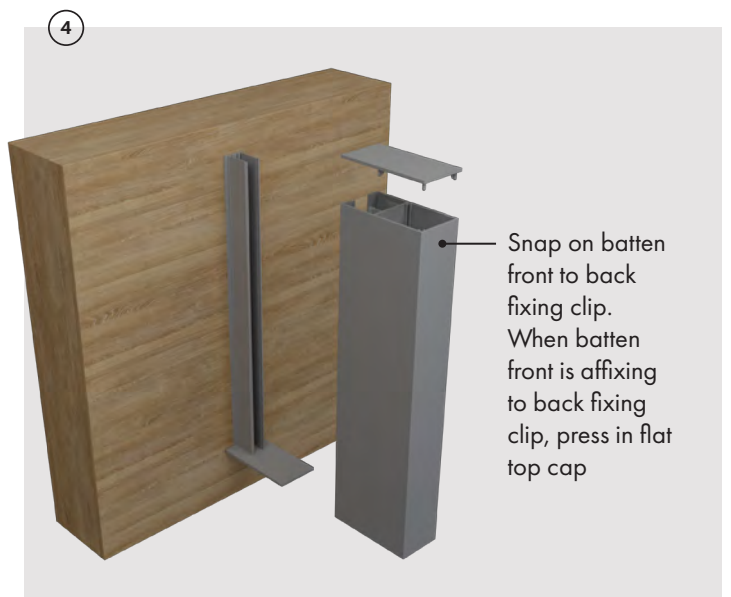
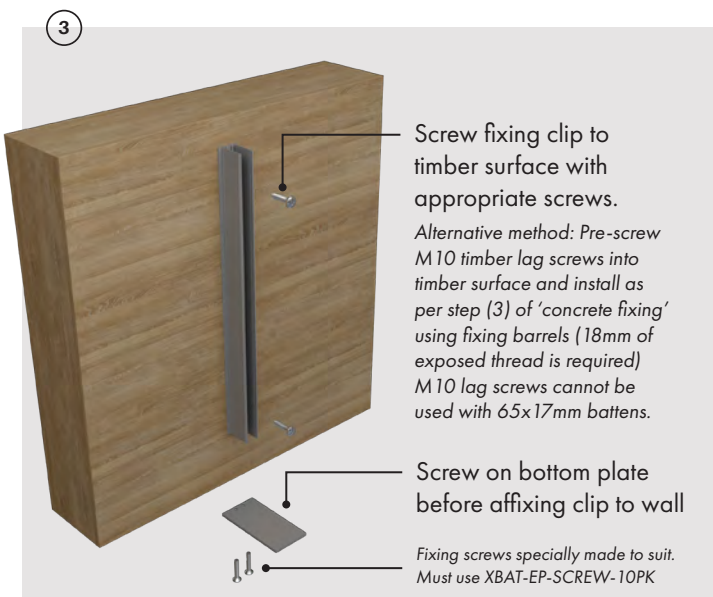
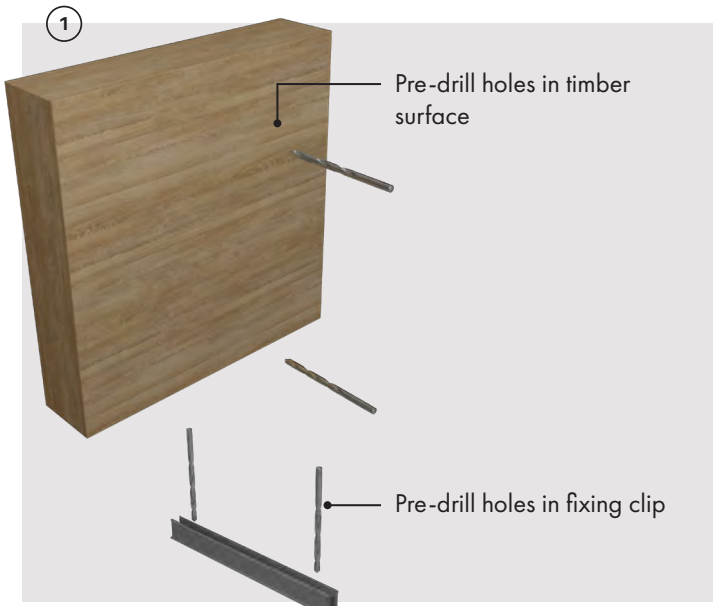
Project orders can also be supplied by Glass Outlet. Custom powder coat colours from the Interpon or Dulux range of powders provide a huge selection of possible colour finishes. Woodgrain textured imaged aluminium can also be arranged from a large selection of finishes to achieve the timber look.



Concrete installation



Timber installation





THE HIGHEST QUALITY FINISHES

Xpress battens are stocked at 6100mm long in popular Interpon D1000 series powder coated finishes, mill finish and timber imaged Western Red Cedar finish.

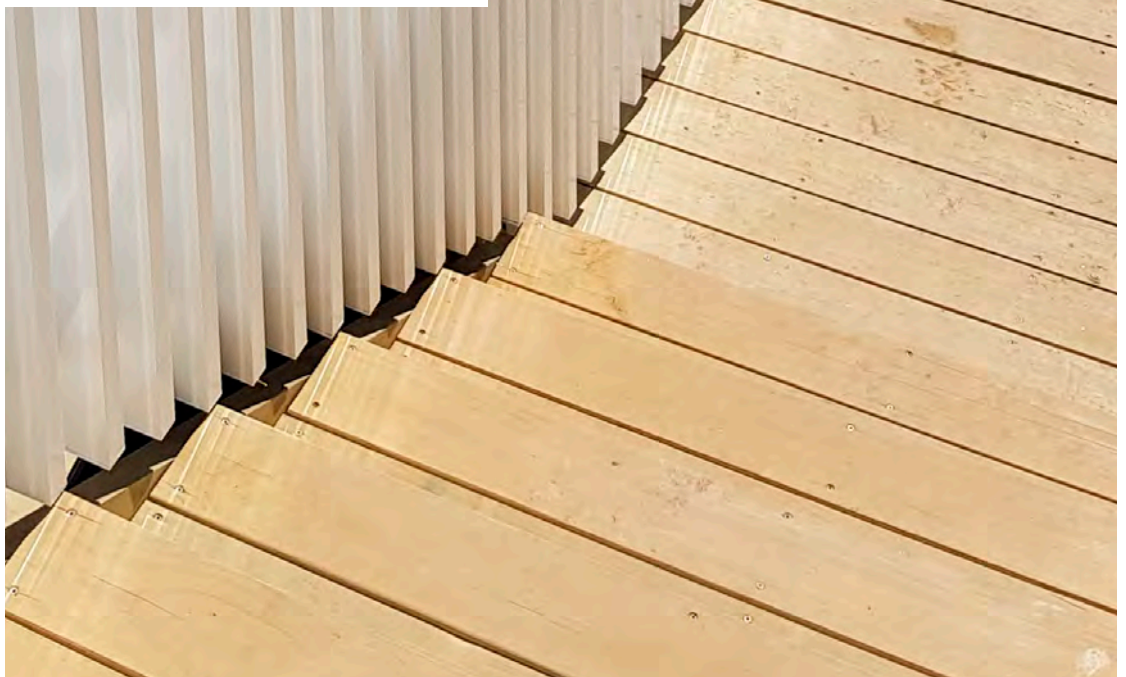
Aluminium is produced to chemical composition, mechanical property and dimensional tolerances in AS/NZS 1866:1997.

Additionally, facility accreditation consists of:

- AS/NZS ISO 9001:2008 – Quality Management Systems.
- AS/NZS ISO 14001:2004 – Environmental Management Systems.
- ISO/IEC 17025 – NATA Accredited Mechanical Testing Laboratory.

Aluminium is suitably pre-treated prior to powder coating and is applied by fully accredited coating facilities.

Woodgrain effect imaged aluminium has a durable base coat applied followed by a technically advanced film which is transferred onto the base coat under heat and pressure. The transfer cannot rub or peel off. The sophisticated process is called sublimation.



BLACK

SATIN

GN150A

65x17MM ONLY

MONUMENT

MATT

GL229A

**WOODLAND
GREY**

MATT

GL205A

PEARL WHITE

GLOSS

GA078A

**WESTERN
RED CEDAR**

MILL

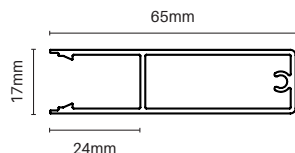
BATTEN EXTRUSIONS



65mm x 17mm batten

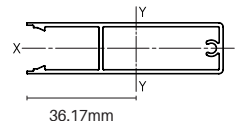
Order Code: **XBAT-6100-065X017**

MATES WITH **XBAT-6100-FIX**



TECH SPECS

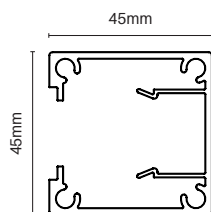
- PP 164 / AP 213
- Alloy 6063-T6
- lxx = 11.56 x 10E3 mmE4
- lyy = 93.66 x 10E3 mmE4
- 1x Ø3.2mm screw flute



45mm x 45mm batten

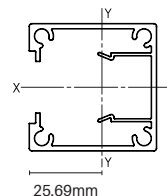
Order Code: **XBAT-6100-045X045**

MATES WITH **XBAT-6100-CLIP**



TECH SPECS

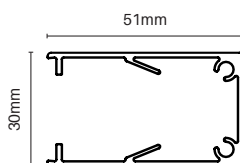
- PP 180 / AP 425
- Alloy 6060-T5
- lxx = 129.73 x 10E3 mmE4
- lyy = 110.54 x 10E3 mmE4
- 4x Ø5mm screw flutes



51mm x 30mm batten

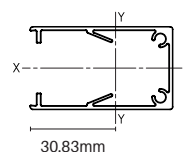
Order Code: **XBAT-6100-051X030**

MATES WITH **XBAT-6100-CLIP**



TECH SPECS

- PP 163 / AP 330
- Alloy 6060-T5
- lxx = 43.56 x 10E3 mmE4
- lyy = 80.06 x 10E3 mmE4
- 2x Ø3.7mm screw flutes



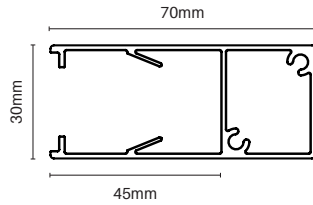
BATTEN EXTRUSIONS



70mm x 30mm batten

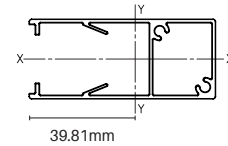
Order Code: **XBAT-6100-070X030**

MATES WITH **XBAT-6100-CLIP**



TECH SPECS

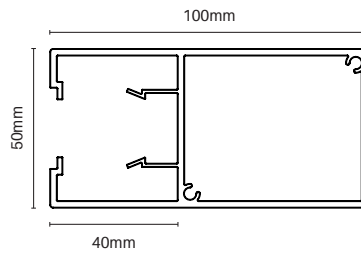
- PP 200 / AP 338
- Alloy 6060-T5
- lxx = 56.72 x 10E3 mmE4
- lyy = 169.62 x 10E3 mmE4
- 2x Ø3.7mm screw flutes



100mm x 50mm batten

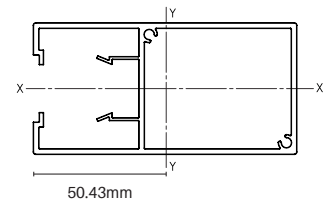
Order Code: **XBAT-6100-100X050**

MATES WITH **XBAT-6100-CLIP**



TECH SPECS

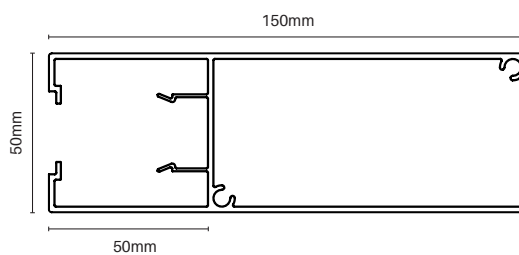
- PP 300 / AP 508
- Alloy 6060-T5
- lxx = 295.13 x 10E3 mmE4
- lyy = 747.31 x 10E3 mmE4
- 2x Ø3.7mm screw flutes



150mm x 50mm batten

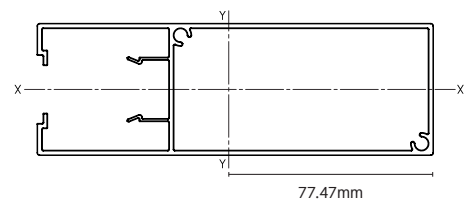
Order Code: **XBAT-6100-150X050**

MATES WITH **XBAT-6100-CLIP**



TECH SPECS

- PP 400 / AP 608
- Alloy 6060-T5
- lxx = 411.58 x 10E3 mmE4
- lyy = 2228.48 x 10E3 mmE4
- 2x Ø5mm screw flutes



BATTEN EXTRUSIONS



15mm x 9mm clip

Order Code: **XBAT-6100-FIX**

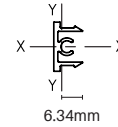
MATES WITH **65x17mm BATTEN ONLY**



*For affixing clip to concrete, consider **tapper+ fastener (1-1/4" x 3/16")** or equivalent syle of concrete fastening screw. It is important that head of screw does not protrude past clip edge. If it protrudes past, it will interfere with front of batten snapping on

TECH SPECS

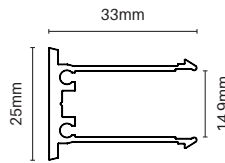
- PP 100 / AP 77
- Alloy 6063-T6
- lxx = 1.03 x 10E3 mmE4
- lyy = 0.33 x 10E3 mmE4
- 1x Ø3.05mm screw flute



30mm x 25mm clip

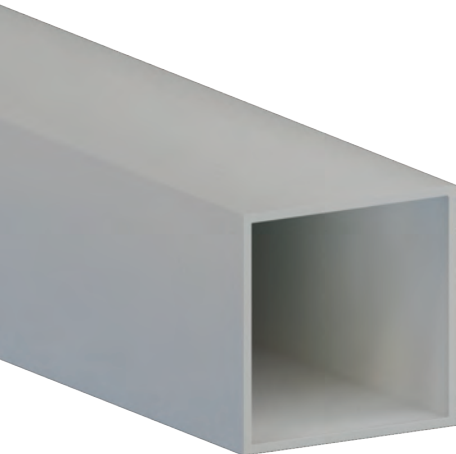
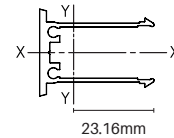
Order Code: **XBAT-6100-CLIP**

MATES WITH ALL BATTENS EXCEPT **65x17mm BATTEN**



TECH SPECS

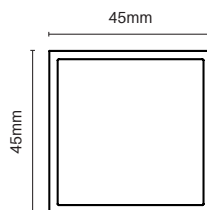
- PP 120 / AP 190
- Alloy 6060-T5
- lxx = 8.25 x 10E3 mmE4
- lyy = 16.67 x 10E3 mmE4
- 2x Ø3.05mm screw flutes



45mm x 45mm rail

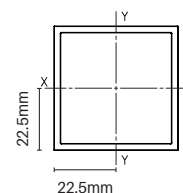
Order Code: **XBAT-6100-RAIL**

• Use as horizontal rails for batten installations
• Shrouds also available for post mounting



TECH SPECS

- PP 180 / AP 180
- Alloy 6060-T5
- lxx = 128.37 x 10E3 mmE4
- lyy = 128.37 x 10E3 mmE4
- 2.5mm wall thickness



BATTEN TOP CAPS & END PLATES

Top caps and end plates are available to enable a truly seamless batten finish. Made from aluminium die cast alloy 383, the caps/end plates have excellent corrosion resistance, are light weight and have dimensional stability.

Available in colours to match stocked battens or mill finish which may be powder coated to suit. For Western Red Cedar imaged aluminium battens, caps/end plates are available in manor red powder coat.

Top caps are 3mm thick and have specially formed lugs which press tightly into batten extrusion screw flutes to ensure a secure fitting.

Bottom plates are 4mm thick and have countersunk screw holes strategically placed so that the plate may be screwed onto the bottom of a batten back clip. The flush finish screw fixing provides a strong base onto which a batten may rest once snapped on. The chance of a batten front slipping downwards over time is removed.



65mm x 17mm

Top cap
Order Code: **XBAT-EC-065X017**

End plate
Order Code: **XBAT-EP-065X017**

45mm x 45mm

Top cap
Order Code: **XBAT-EC-045X045**

End plate
Order Code: **XBAT-EP-045X045**

51mm x 30mm

Top cap
Order Code: **XBAT-EC-051X030**

End plate
Order Code: **XBAT-EP-051X030**

70mm x 30mm

Top cap
Order Code: **XBAT-EC-070X030**

End plate
Order Code: **XBAT-EP-070X030**

100mm x 50mm

Top cap
Order Code: **XBAT-EC-100X050**

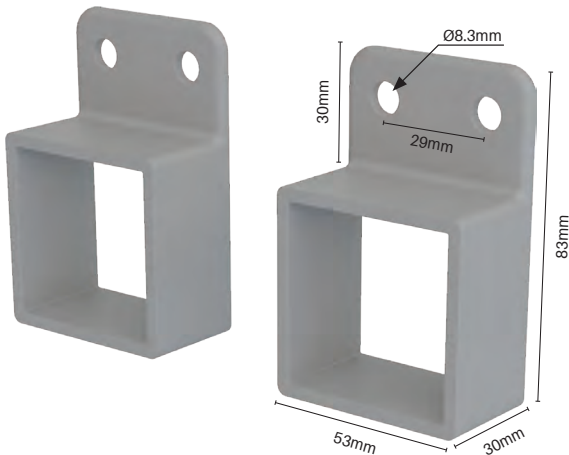
End plate
Order Code: **XBAT-EP-100X050**

150mm x 50mm

Top cap
Order Code: **XBAT-EC-150X050**

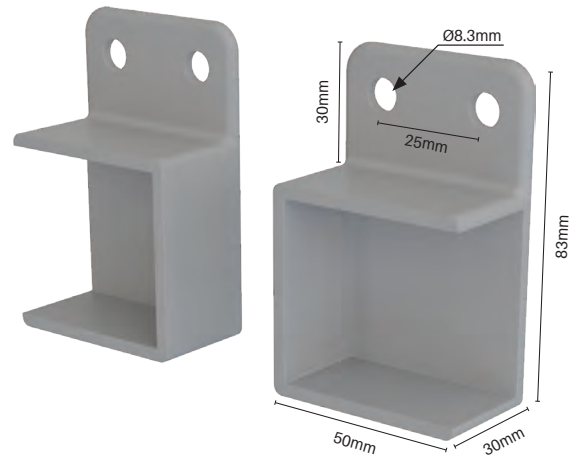
End plate
Order Code: **XBAT-EP-150X050**

BATTEN ACCESSORIES



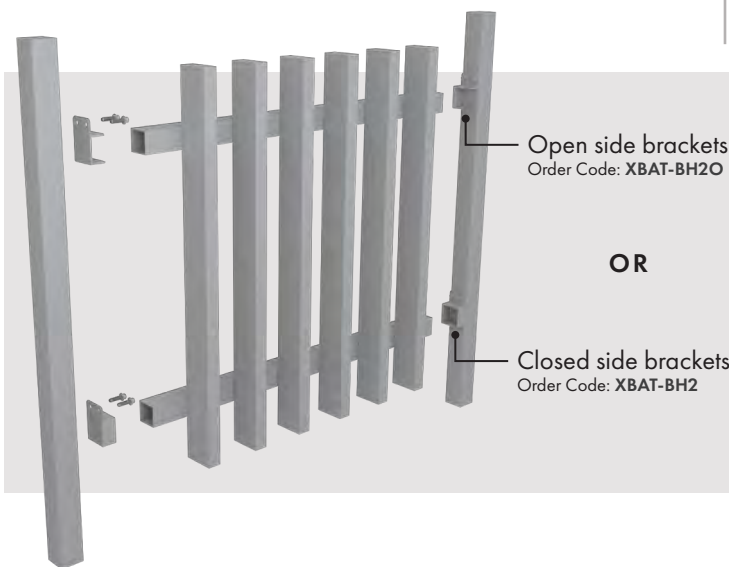
Aluminium horizontal bracket
 Pack of 2 - includes 8x tek screws
 CLOSED SIDE
 Order Code: **XBAT-BH2**

- Aluminium die cast 383
- Brackets fit to inner face of post or wall
- Suits 45x45mm horizontal rail
- Must leave minimum 35mm of exposed rail past finished batten as bracket depth is 30mm



Aluminium horizontal bracket
 Pack of 2 - includes 8x tek screws
 OPEN SIDE
 Order Code: **XBAT-BH2O**

- Aluminium die cast 383
- Brackets fit to inner face of post or wall
- Suits 45x45mm horizontal rail
- 3 sided opening - brackets can be pre-installed then install rail into bracket opening
- Ideal solution when batten finishes close to end of rail - side of bracket does not conflict with batten at open side



HORIZONTAL BRACKET COLOURS

BLACK GN150A *OPEN SIDE BRACKET ONLY	MONUMENT GL229A	WOODLAND GREY GL205A
WHITE GA078A	MANOR RED	MILL



End plate CSK screws
 Pack of 10
 SS304 - ST3.5x25mm
 Order Code: **XBAT-EP-SCREW-10PK**

- Use for screwing end plates to bottom of Xpress batten clip
- Suits both 15x19mm & 30x25mm clips
- Hex head - flush finish with countersunk end plates



Self drilling rail screws
 Pack of 100
 Zinc plated - 10Gx22mm
 Order Code: **XBAT-RAILSCREW-100PK**

- Self drilling wafer head screws
- Ideal for screwing batten to horizontal rails where battens used for fencing application



M10 barrel fixing & rectangular washer
 Pack of 10
 SS304 - Suits M10 thread
 Order Code: **XBAT-FIXNUT-10PK**

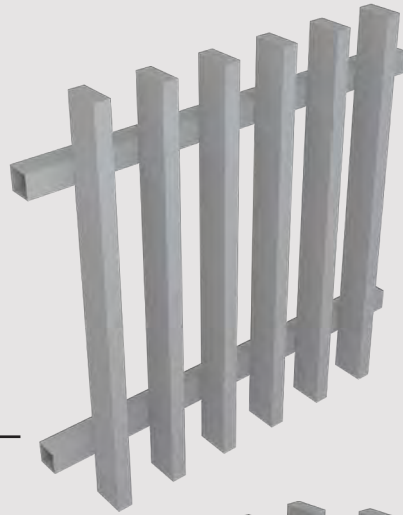
- 20mm L x Ø13mm outer hex drive nut with 30mm x 13mm rectangular washer
- Specially designed to fit inside 30x25mm clip for concrete fixing with threaded rod or timber fixing lag screw
- Cannot be used with 15x9mm clip (for 65x17mm battens)

The fencing possibilities are endless

THE STANDARD

The original. The timeless. The standard.

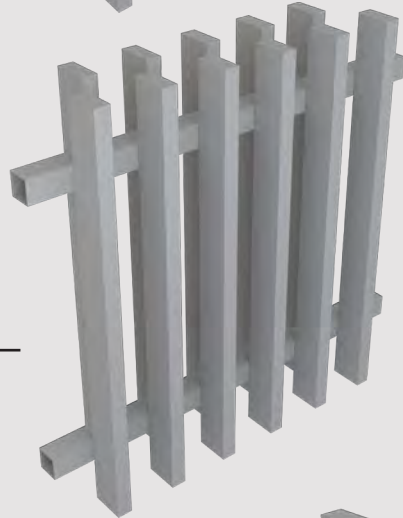
Affix one size batten to the front face of your rails to achieve this look.



BACK TO BACK

Add another dimension to your battens.

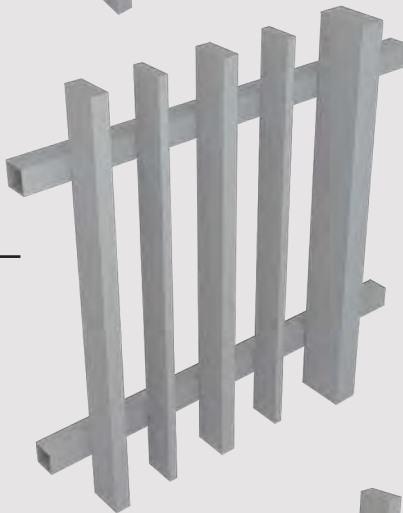
Affix battens in a staggered pattern to both sides of your rails to achieve this look.



THE SWITCH UP

Give your battens some personality.

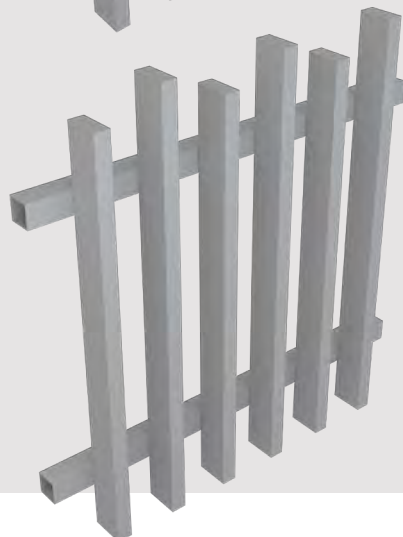
Affix multiple size battens in a random order to the front face of your rails to achieve this look.



STEP IT UP

Level up your batten style.

Stagger your batten heights and affix to the front face of your rails to achieve this look.



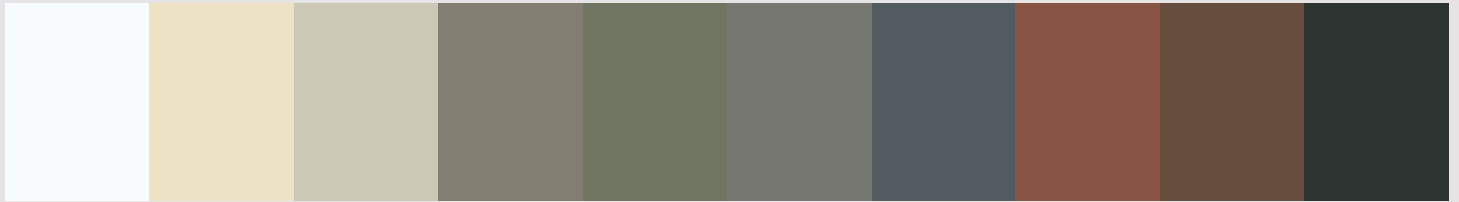
Custom colours

Custom powder coating and timber imaging is available for project order lengths. The cut to size service is not available for custom colours.

Contact us for pricing and minimum order quantities.

POWDER COAT COLOURS

Powder coating supplied by Interpon and Dulux are available in an extensive range of colours, gloss levels, textures and metallic shades for complete colour freedom. They contain no organic solvents or heavy metal pigments.



TIMBER IMAGE FINISHES

Select from a huge range of premium textured timber image finishes with base coating and imaging process undertaken in Australia. Enjoy the benefits of a durable timber look aluminium without the ongoing maintenance issues of genuine timber.



- | | | | | | | | |
|--------------|----------------|----------------------|---------------------|-----------------------|----------------------|----------------------|------------------|
| 1. Aspen | 6. Zebrano | 11. Knotty pine | 16. Blackbutt | 21. Tiger wood | 26. Chestnut | 31. Kwila | 36. Black walnut |
| 2. Beachwood | 7. Grey merbau | 12. Light oak | 17. Jarrah | 22. Western red cedar | 27. Hickory | 32. English chestnut | 37. Charcoal ash |
| 3. Ash | 8. Iroko | 13. Atlantic cedar | 18. Sydney blue gum | 23. Bush cherry | 28. Spotted gum | 33. Savannah oak | 38. Black ash |
| 4. White ash | 9. Tassie oak | 14. Australian cedar | 19. Rose mahogany | 24. Iron bark | 29. Eastern mahogany | 34. Teak brown | |
| 5. Driftwood | 10. Maple | 15. Red gum | 20. Koa | 25. Royal oak | 30. Merbau | 35. Wenge | |





Errors and omissions excepted. Measurements and drawings are provided as a guide only and should not be relied upon solely for installation purposes.

Product codes, products and prices may change at Glass Outlet's discretion as systems are constantly reviewed and updated. Please contact Glass Outlet if you require clarification of product codes, pricing or product stocking.

Due to each installation situation being different, it is the installer's responsibility to seek engineering compliance and/or certification should it be required as part of a project, regulatory or statutory requirement.

Colours are indicative and should be used as a guide only. All products should adhere to a suitable care and maintenance schedule.

©Copyright 2019. This catalogue is the copyright of Glass Outlet and cannot be reproduced, copied or replicated without the prior written consent of Glass Outlet. Such consent applies to images as well as text.

Queensland
BRISBANE

📞 **07 3267 7968**

📄 **07 3267 8199**

✉️ salesbris@glassoutlet.com.au

📍 Building 9, 153 St Vincents Rd
Virginia, QLD 4014

GOLD COAST

📞 **07 5594 0343**

📄 **07 5594 0157**

✉️ salesgc@glassoutlet.com.au

📍 28 Barnett Place
Molendinar, QLD 4214

Victoria

MELBOURNE WEST

📞 **03 9363 7744**

📄 **03 9363 4755**

✉️ salesder@glassoutlet.com.au

📍 1/139 Studley Crt
Derrimut, VIC 3026

MELBOURNE SOUTH EAST

📞 **03 9706 9886**

📄 **03 9706 7514**

✉️ salesdan@glassoutlet.com.au

📍 66 Logis Blvd
Dandenong South, VIC 3175

South Australia

ADELAIDE

📞 **08 8359 4048**

📄 **08 8162 5537**

✉️ salesadl@glassoutlet.com.au

📍 490 Churchill Rd
Kilburn, SA 5084

New South Wales

NEWCASTLE

📞 **02 4069 0833**

📄 **02 4006 3040**

✉️ salesnc@glassoutlet.com.au

📍 24 Nelson Rd
Cardiff, NSW 2285